



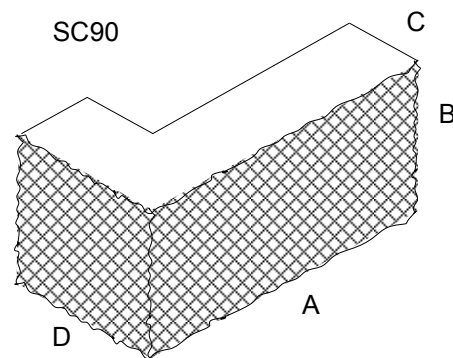
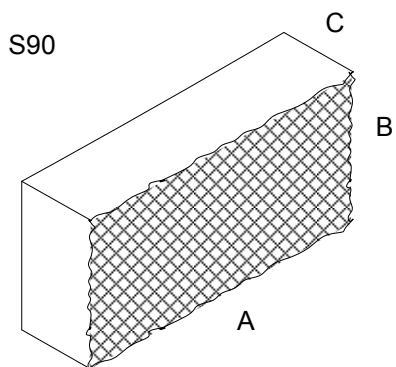
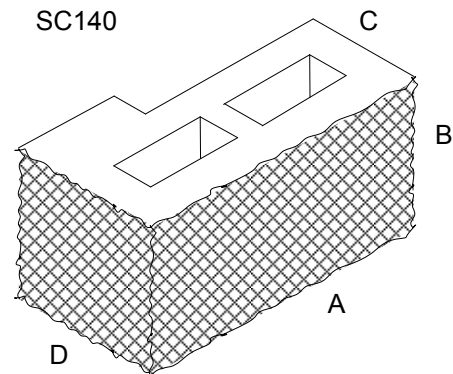
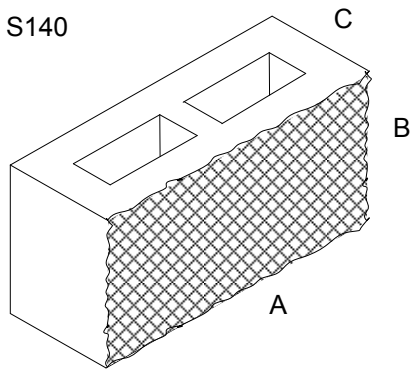
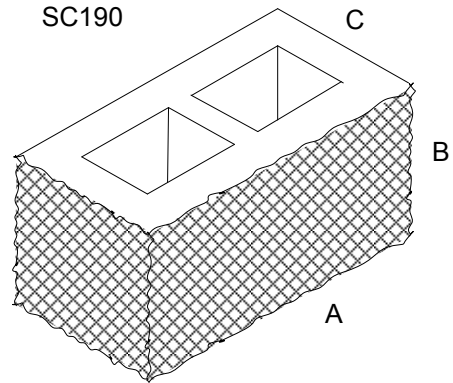
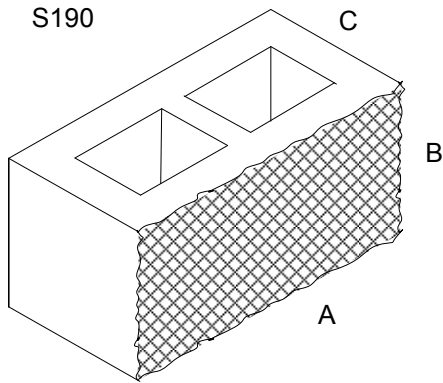
PRECAST CEMENT PRODUCTS CC

Suppliers Of Quality Splitface, Fairface & Retaining Wall Blocks

55 Stapleton Road, Pinetown, Durban, KZN
 PO Box 4, Sarnia, 3615
 Tel : 031 708 4365/6
 Fax : 031 708 4177

VAT : 4390102608
 CK : 2002/000063/23
 Web : www.precast.co.za
 Email : info@precast.co.za

SPLITFACE BLOCKS



Code Number	Length A	Hight B	Width C	Width D	Type	Weight (KG)	Number Per m ²
S190	390	190	190		Hollow	18.5	12.5
SC190			190		Hollow	20.5	
S140			140		Hollow	16	12.5
SC140			140	190	Hollow	19	
S90			90		SOLID	13.5	12.5
SC90			90	190	SOLID	16.5	



PRECAST CEMENT PRODUCTS CC

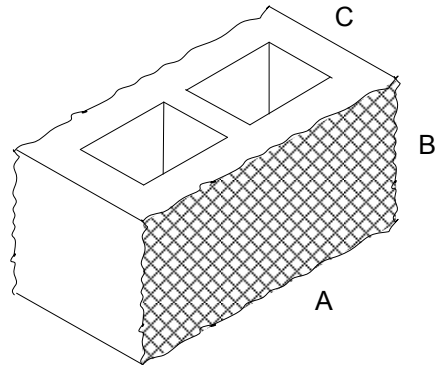
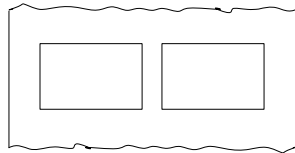
Suppliers Of Quality Splitface, Fairface & Retaining Wall Blocks

55 Stapleton Road, Pinetown, Durban, KZN
 PO Box 4, Sarnia, 3615
 Tel : 031 708 4365/6
 Fax : 031 708 4177

VAT : 4390102608
 CK : 2002/000063/23
 Web : www.precast.co.za
 Email : info@precast.co.za

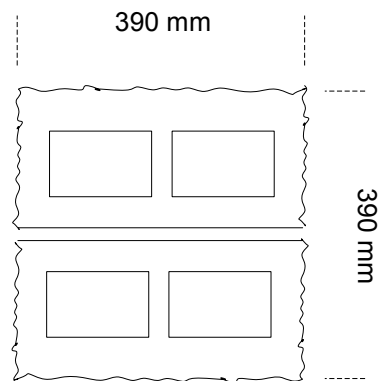
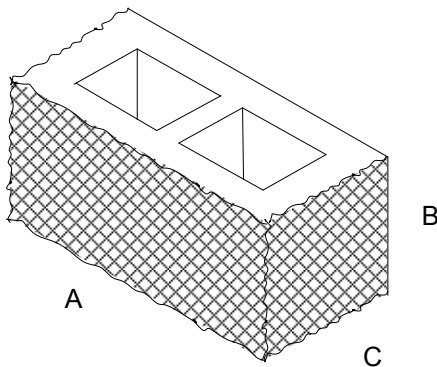
SPLITFACE DOUBLE SIDED

S190D



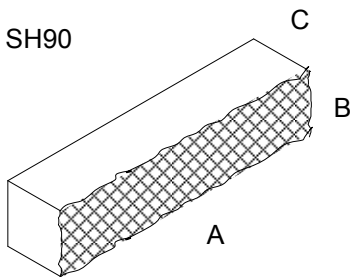
SPLITFACE PILLAR BLOCK

SDC 190

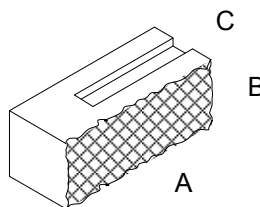


SPLITFACE SMALL MODULES

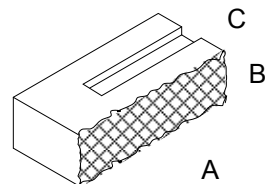
SH90



SB90



SB70



Code Number	Length A	Hight B	Width C	Width D	Type	Weight (KG)	Number Per m ²
S190D	390	190	190		Hollow	20	12.5
SDC190			190		Hollow	20	
SH90		90	90		SOLID	7	25
SB90	190	90	90		SOLID	3.5	50
SB70	220	70	105		SOLID	3.5	52