



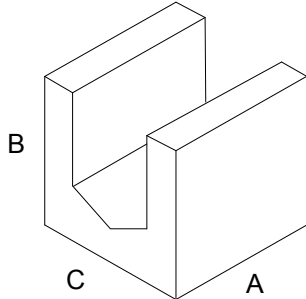
# PRECAST CEMENT PRODUCTS CC

Suppliers Of Quality Splitface, Fairface & Retaining Wall Blocks

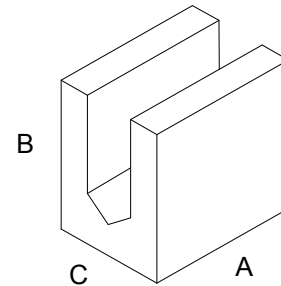
55 Stapleton Road, Pinetown, Durban, KZN  
 PO Box 4, Sarnia, 3615  
 Tel : 031 708 4365/6  
 Fax : 031 708 4177

VAT : 4390102608  
 CK : 2002/000063/23  
 Web : www.precast.co.za  
 Email : info@precast.co.za

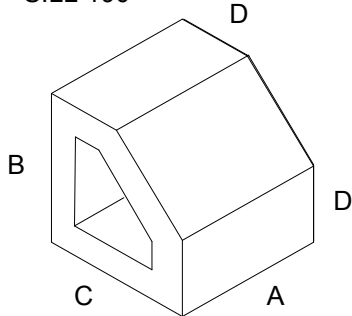
\*\* U190



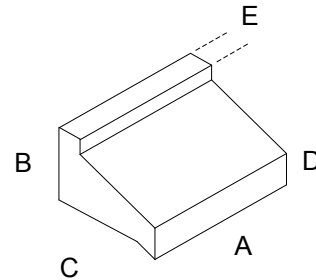
\*\* U140



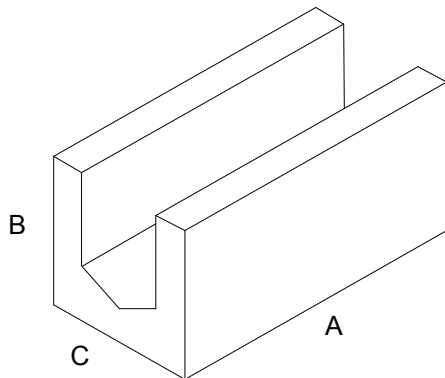
SILL 190



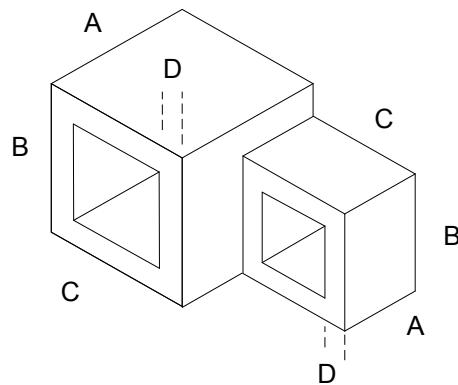
SILL 90



U190L



GRILL 190 / GRILL 155



Code Number	Length A	Height B	Width C	Width D	Width E	COVERAGE	Weight (KG)
**U190	190	190	190			5 / metre	9 ** 10.5
**U140	190	190	140			5 / metre	7 ** 8.5
SILL 190	190	190	190	90		5 / metre	8.5
SILL 90	190	90	130	40	30	5 / metre	2.5
U190L	390	190	190			2.5 / metre	18.5
GRILL 190	190	190	190	30		25 / m <sup>2</sup>	8
GRILL 155	107	155	155	30		40 / m <sup>2</sup>	3.5
** AVAILABLE IN SPLITFACE							



# PRECAST CEMENT PRODUCTS CC

Suppliers Of Quality Splitface, Fairface & Retaining Wall Blocks

55 Stapleton Road, Pinetown, Durban, KZN

PO Box 4, Sarnia, 3615

Tel : 031 708 4365/6

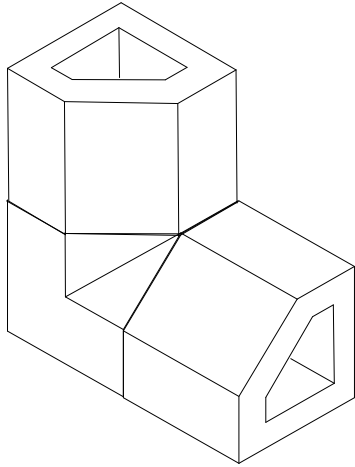
Fax : 031 708 4177

VAT : 4390102608

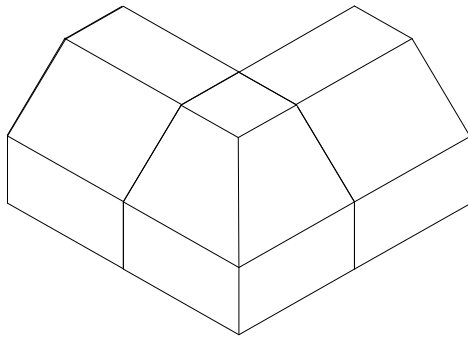
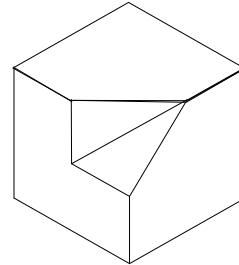
CK : 2002/000063/23

Web : [www.precast.co.za](http://www.precast.co.za)

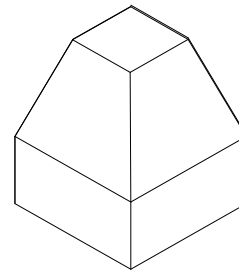
Email : [info@precast.co.za](mailto:info@precast.co.za)



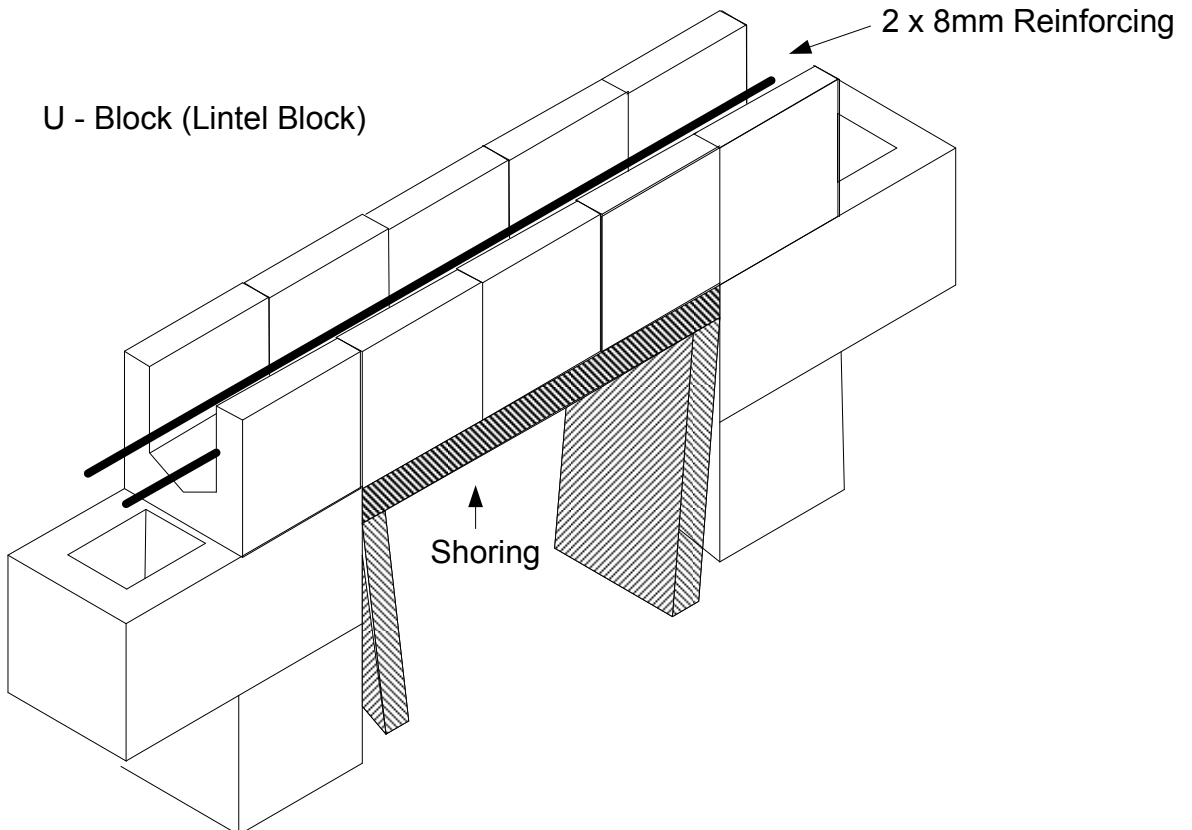
Internal Sill Block



External Sill Block



U - Block (Lintel Block)





# PRECAST CEMENT PRODUCTS CC

Suppliers Of Quality Splitface, Fairface & Retaining Wall Blocks

55 Stapleton Road, Pinetown, Durban, KZN  
 PO Box 4, Sarnia, 3615  
 Tel : 031 708 4365/6  
 Fax : 031 708 4177

VAT : 4390102608  
 CK : 2002/000063/23  
 Web : www.precast.co.za  
 Email : info@precast.co.za

## CAPPINGS

290 & 240 CAPPING

250 CAPPING

400 , 500 & 700 PILLAR CAPPING

C = Flat top for mounting light on request

Code Number	A	B	C	D	Weight (KG)	NUMBER PER LINEAR M
240	190	50	150	240	5	5
290	190	50	200	290	7	5
250	390	60	250		26	2.5
400	50	120	190	400	26.5	
500	50	150	190	500	42.5	
700	50	200	190	700	106.5	